

INSTRUCTIONS

EMX4 REMOTE KEYPAD

RIGHT FROM
THE START

AUCom
MOTOR CONTROL SPECIALISTS

1 Description

The remote keypad can be mounted up to 3 metres away from the soft starter. The keypad is rated IP65 when mounted correctly in accordance with these instructions.

The keypad connects to the soft starter via the DB9 connector on a hardware expansion card. A hardware expansion card must be installed to use the remote keypad with the starter. Separate kits are available with a dedicated keypad connector expansion card, or with no expansion card for applications already using another smart card.

2 Packing List

| | |
|--|----------------------|
| 1 x Remote keypad | 4 x M3 x 16 Screw |
| 1 x Keypad connector expansion card (selected kits) | 4 x M3 Flat washer |
| 1 x Cable, DB9 | 4 x M3 Spring washer |
| 1 x Gasket, foam | 4 x M3 Nut |
| 1 x Instruction sheet | 2 x Jack screw |

3 Warnings



WARNING

For your safety, isolate the soft starter from mains voltage before attaching or removing accessories.

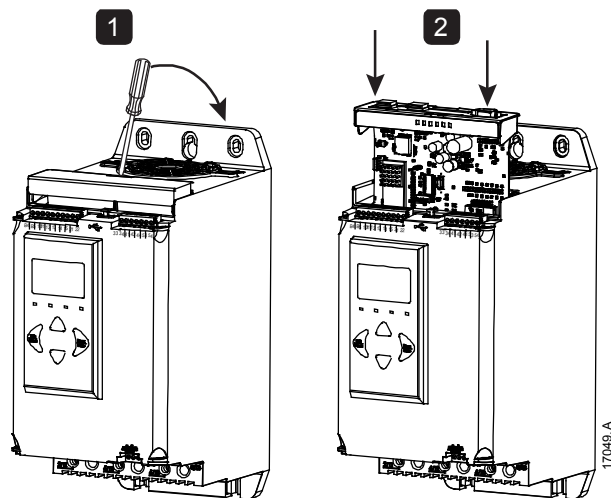


WARNING

Inserting foreign objects or touching the inside of the starter while the expansion port cover is open may endanger personnel, and can damage the starter.

4 Installation Procedure

1. Push a small flat-bladed screwdriver into the slot in the centre of the expansion port cover, and gently lift the cover away from the starter.
2. Line up the adapter with the expansion port. Gently push the adapter along the guide rails until it clicks into the starter.



5 Installing the Remote Keypad



NOTE

The remote keypad can be safely connected or removed while the starter is running. It is not necessary to remove mains or control voltage.

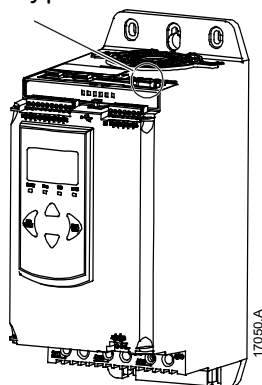
1. Measure and drill four holes for the mounting screws and two holes for the DB9 connector (refer to *Mounting Diagram* on back page).
2. Apply the foam gasket to the back of the keypad.
3. Align the keypad over the holes and screw in place. Tighten the screws so that the foam gasket is compressed to half its original thickness (torque approximately 1 Nm).



NOTE

If the screws are too loose, the gasket will not provide IP65 protection. Over-tightening the screws can damage the keypad, gasket or panel.

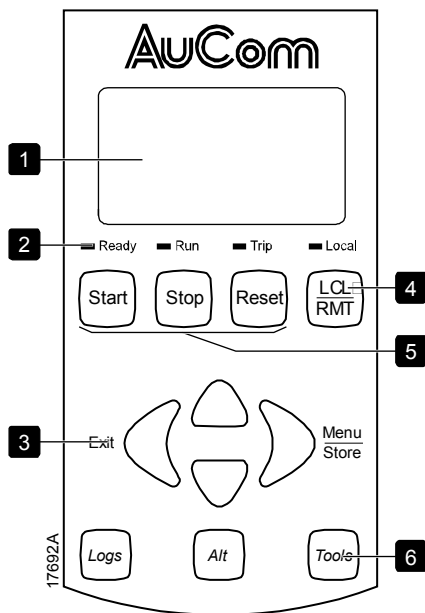
4. Plug the cable into the keypad and the soft starter.



5. Press the faceplate onto the front of the keypad.

6 Using the Remote Keypad to Control the Starter

The soft starter will only accept start and reset commands from the remote keypad if parameter 1A *Command Source* is set to Remote Keypad.



- | | |
|---|--|
| 1 | Four-line display for status and programming details. |
| 2 | Status LEDs. |
| 3 | Menu navigation buttons: ◀: Exit the menu or parameter, or cancel a parameter change. ▶: Enter a menu or parameter, or save a parameter change. ▲▼: Scroll to the next or previous menu or parameter, change the setting of the current parameter or scroll through the status screens. |
| 4 | LCL/RMT: Shortcut to the command source menu in Setup Tools. |
| 5 | Soft starter local control buttons |
| 6 | Shortcut buttons for quick access to common tasks. LOGS: Open the Logs Menu. ALT: Select which graph to view, or pause/restart the graph (hold longer than 0.5 seconds). TOOLS: Open the Setup Tools. |



NOTE

If the Commissioning Menu is open on the built-in keypad, the soft starter will ignore all commands from the external keypad except Stop.



NOTE

The remote keypad can be safely connected or removed while the starter is running. It is not necessary to remove mains or control voltage.



NOTE

If parameter 1A *Command Source* is set to Remote Keypad, removing the remote keypad will cause a trip.

7 Mounting diagram

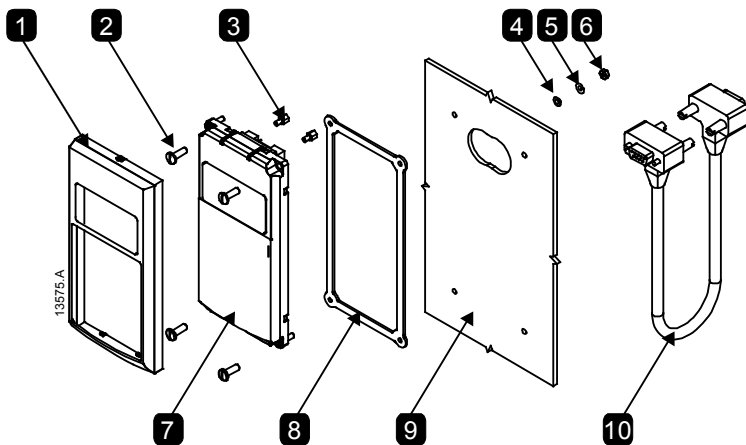
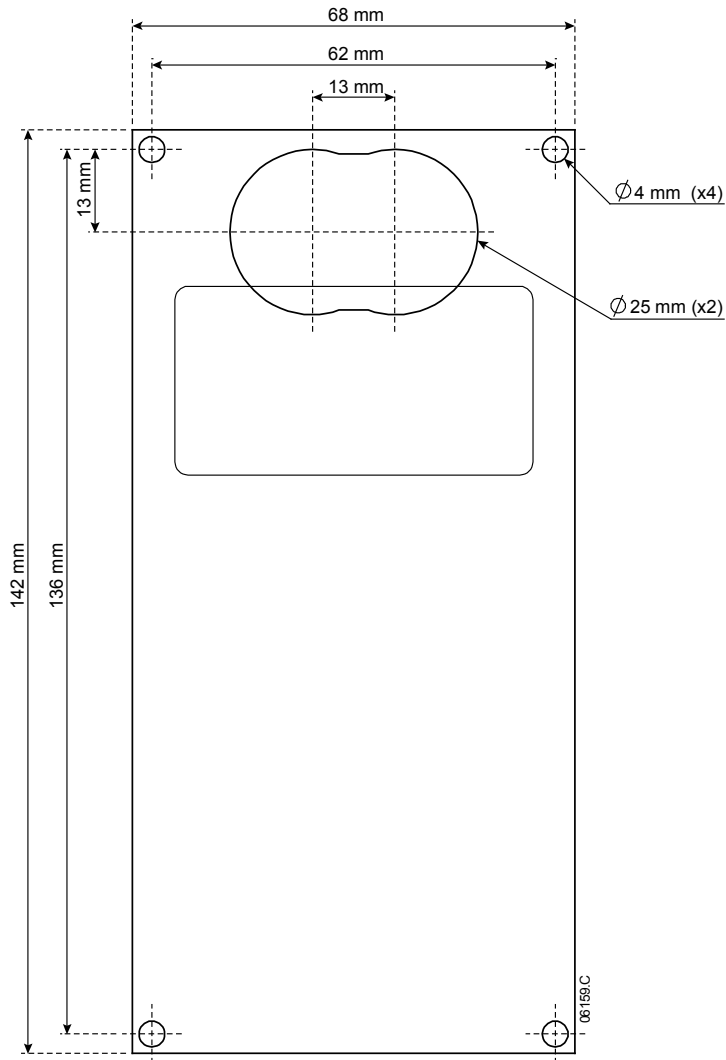
Drill four mounting holes for screws (one in each corner) and two holes for the DB9 connector.



NOTE

Image is not to scale.

Dimensions are given with faceplate removed



| | |
|----|---------------|
| 1 | Faceplate |
| 2 | Screw |
| 3 | Jack screw |
| 4 | Flat washer |
| 5 | Spring washer |
| 6 | Nut |
| 7 | Keypad |
| 8 | Gasket |
| 9 | Panel |
| 10 | Cable |